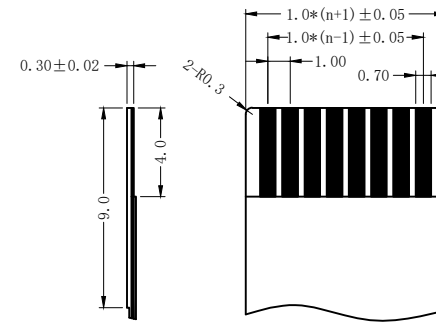
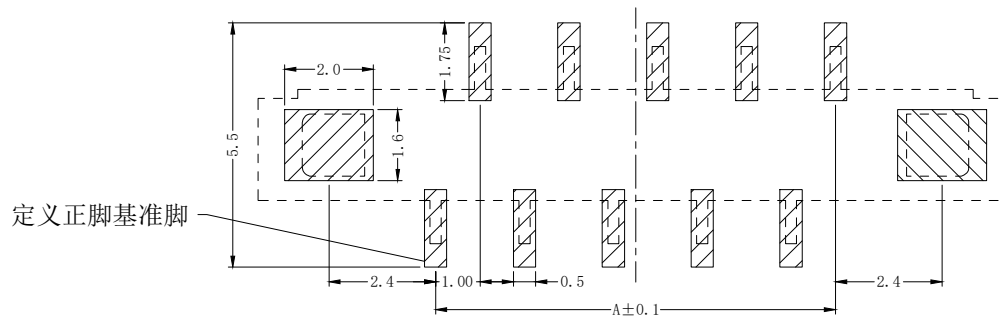
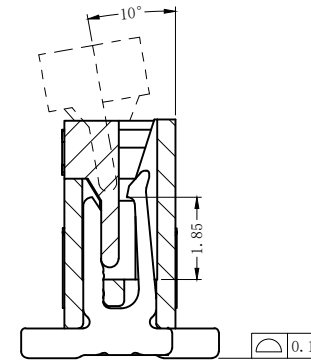
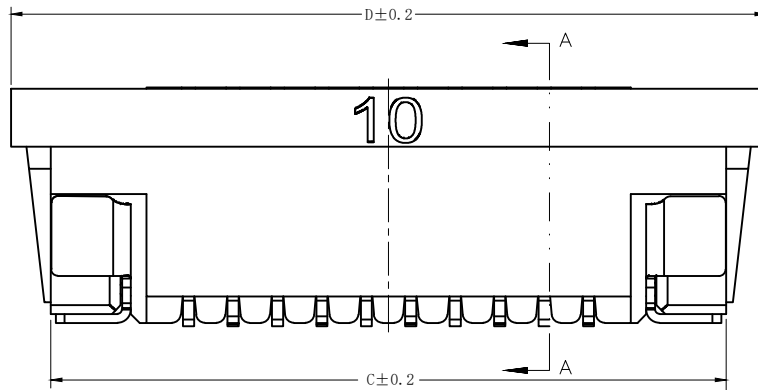
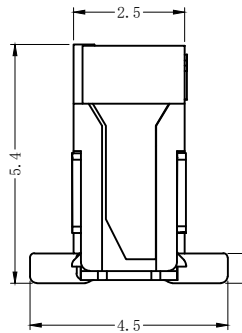
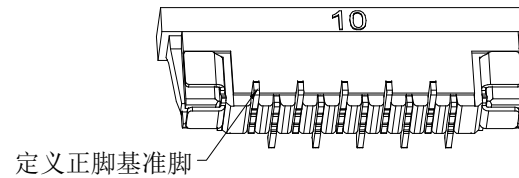
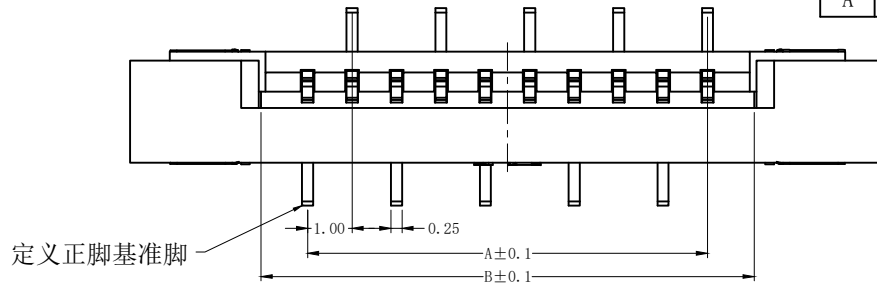


REV.	ECN NO.	LOCAS.	DESCRIPTION	DATE	DESIGN
A			NEW DRAWING	22.12.01	Jenply



孔位	A	B	C	D
4	3	5.15	9.2	11.1
5	4	6.15	10.2	12.1
6	5	7.15	11.2	13.1
7	6	8.15	12.2	14.1
8	7	9.15	13.2	15.1
9	8	10.15	14.2	16.1
10	9	11.15	15.2	17.1
11	10	12.15	16.2	18.1
12	11	13.15	17.2	19.1
13	12	14.15	18.2	20.1
14	13	15.15	19.2	21.1
15	14	16.15	20.2	22.1
16	15	17.15	21.2	23.1
17	16	18.15	22.2	24.1
18	17	19.15	23.2	25.1
19	18	20.15	24.2	26.1
20	19	21.15	25.2	27.1
21	20	22.15	26.2	28.1
22	21	23.15	27.2	29.1
23	22	24.15	28.2	30.1
24	23	25.15	29.2	31.1
25	24	26.15	30.2	32.1
26	25	27.15	31.2	33.1
27	26	28.15	32.2	34.1
28	27	29.15	33.2	35.1
29	28	30.15	34.2	36.1
30	29	31.15	35.2	37.1
31	30	32.15	36.2	38.1
32	31	33.15	37.2	39.1
33	32	34.15	38.2	40.1
34	33	35.15	39.2	41.1
35	34	36.15	40.2	42.1

技术要求 (Technical Index):

1. 材质与表面处理 (Material And Finish):
基座 (Housing) and 盖子 (Cover): LCP UL94V-0 Nature Or Black;
端子 (Terminal): Phosphor Copper Au/Sn Plated;
焊片 (Solder): Copper Alloy Au/Sn Plated;
2. 工作温度 (Temperature range): $-25^\circ\text{C} \sim +85^\circ\text{C}$.
3. 额定电压 (Rated voltage): 50V, AC/DC.
4. 额定电流: 0.5A, AC/DC.
5. 接触电阻 (Contact resistance): $\leq 20\text{m}\Omega$.
6. 绝缘电阻 (Insulation resistance): $\geq 800\text{M}\Omega$.
7. 耐电压 (Withstanding Voltage): 500V AC/minute.

PC BOARD LAYOUT

DESIGN:	Jenply			QWYCONN® 深圳市启崴源电子有限公司 SHENZHEN QIWEIYUAN ELECTRONIC CO., LTD.	
CHECK:	Ke Tian				
APPROVED:	Youquan Xu			TITLE:	
DIM	TOL	DIM	TOL	1.0mm FPC (E型) 立贴式正脚	
X.	± 0.25	X°	$\pm 3.0^\circ$	PART NO.	
X.X	± 0.20	X.X°		1.0K-GL-nPB-***	
X.XX	± 0.15	X.XX°		REV. A	SCALE: N/A
X.XXX		X.XXX°		UNIT: mm	SHEET: 1/1