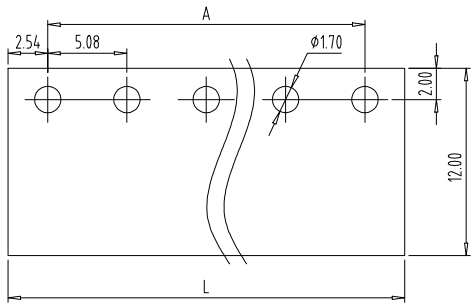
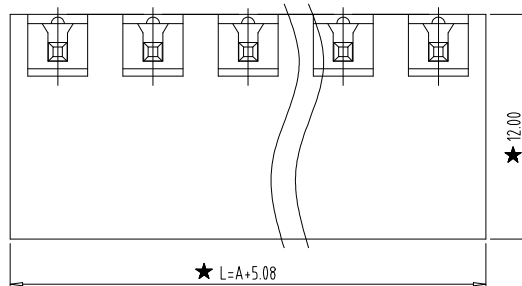


REV	ECN NO.	LOCAS.	DESCRIPTION	DATE	DESIGN
A			NEW DRAWING		

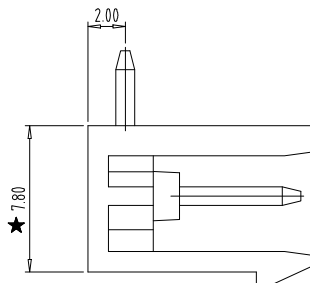


PCB LAYOUT
S=2.5:1

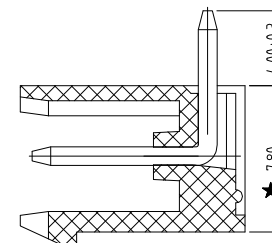
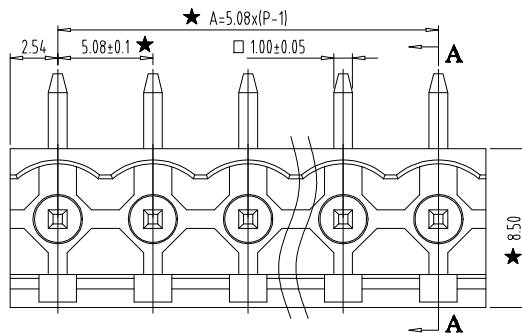


NOTES:

1. Rating:300V 15A ;
2. Insulation Withstands Voltage: AC2000V/MIN
3. Insulation Resistance: 500MΩ or more at DC500V
4. Using Temperature Range: -40°C~+105°C
5. "★" is the important dimension



SECTION:A-A



SECTION:A-A

Total Pitch Tolerances in mm										Nominal dimension range in mm										⊥	≡	—	//			
over	over	over	over	over	over	over	over	over	over	over	over	over	over	over	over	over	over	over	over	over	over	over	over	over	over	over
0	30	53	70	90	115	150	250	350	500	0	30	53	70	90	115	150	200	250	320	0	10	all	10	0	100	150
±0.18	±0.20	±0.25	±0.3	±0.35	±0.44	±0.60	±0.70	±0.85	±0.20	±0.25	±0.30	±0.35	±0.44	±0.55	±0.70	±0.80	±0.90	0.2	0.3	0.3	0.3	0.2	0.3	0.5		

DESIGN:	Xiping Huang	QWYCONN 深圳市启崑源电子有限公司 SHENZHEN QIWEIYUAN ELECTRONIC CO., LTD.	
CHECK:	Ke Tian	TITLE: 2EDGR-5.08-XXP-XC	
APPROVED:	Youquan Xu	PART NO.	
DIM	TOL	DIM	TOL
X.	±0.25	X°	±3.0°
X.X	±0.20	X.X°	
X.XX	±0.15	X.XX°	
X.XXX		X.XXX°	
REV.	A	SCALE:	N/A
UNIT:	mm	SHEET:	1/1