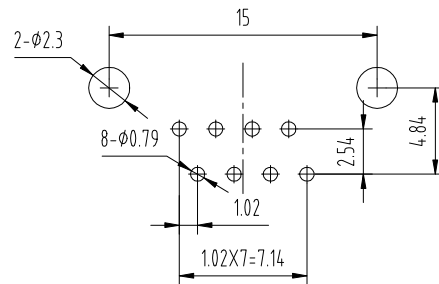
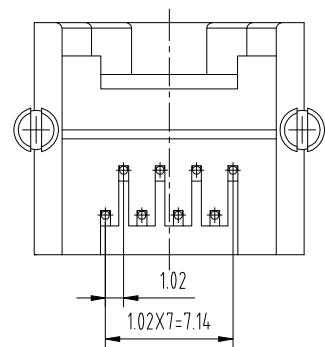
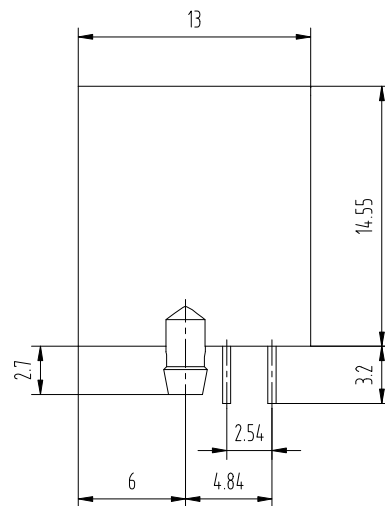
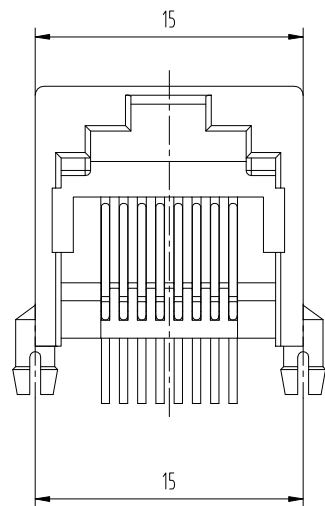


| REV | ECN NO. | LOCAS. | DESCRIPTION | DATE | DESIGN |
|-----|---------|--------|-------------|------|--------|
| A | | | NEW DRAWING | | |



PC Board Layout
Component Side Shown

NOTES:

MATERIAL :

- 1.HOUSING MATERIAL :GLASS FILLED POLYESTER UL94V-0.
- 2.CONTACT MATERIAL :PHOSPHOR BRONZE ϕ 0.46mm.
- 3.PLATING :GOLD PLATING OVER NICKEL.

ELECTRICAL:

- 1.VOLTAGE RATING :125 VAC RMS.
- 2.CURRENT RATING :15 AMP.
- 3.CONTACT RESISTANCE :30 MILLIOHMS MAX.
- 4.INSULATION RESISTANCE :500 MEGOHMS MIN @ 500V DC .
- 5.DIELECTRIC WITHSTANDING RESISTANCE :1000V AC RMS 50Hz. 1MIN.

MECHANICAL:

- 1.DURRABILITY :750 CYCLES MIN.
- 2.PCB RETENTION PRE-SOLDER :1 LB MIN.

ENVIRONMENTAL:

- 1. STORAGE : -40 $^{\circ}$ ~+85 $^{\circ}$ C
- 2. OPERATION : 0? TO 70?.

PART NUMBER:

HY55A 8 X - X X X X X X X X
55 SERIES L/P PCB JACK

| | | | | | | | | | |
|--|--|---------------------------------------|--------------------------|------------------------------------|------------------------------|---|--|--|--|
| POSITIONS 4-4 POSITIONS 6-6 POSITIONS 8-8 POSITIONS | CONTACTS 2-2 CONTACTS 4-4 CONTACTS 6-6 CONTACTS 8-8 CONTACTS | SHIELD 0-W/O SHIELD 1-W/ SHIELD | HIGH 1-H-15 2-H-13 | PANEL 0-W/O PANEL 1-W/ PANEL | GAP 0-W/O GAP 1-W/ GAP | PLASTIC 1-PBT 2-NYLON66 3-NYLON46 4-ABS | COLOR 1-BLACK 2-WHITE 3-GRAY 4-IVORY | LOGO 0-W/O LOGO 1-W/ ZPY 2-W/ UL 3-W/ ZPY&UL | GOLD PLATING 1-15u* 2-3u* 3-6u* 4-15u* 5-30u* 6-50u* |
|--|--|---------------------------------------|--------------------------|------------------------------------|------------------------------|---|--|--|--|

| | | | |
|-----------|--------------|--|-------------------|
| DESIGN: | Xiping Huang | QWYCONN 深圳市启崑源电子有限公司 SHENZHEN QIWEIYUAN ELECTRONIC CO., LTD. | |
| CHECK: | Ke Tian | TITLE: 55 SERIES PCB JACK 8P8C | |
| APPROVED: | Youquan Xu | PART NO. | |
| DIM | TOL | DIM | TOL |
| X. | ± 0.25 | X° | $\pm 3.0^{\circ}$ |
| X.X | ± 0.20 | X.X° | |
| X.XX | ± 0.15 | X.XX° | |
| X.XXX | | X.XXX° | |
| REV. A | SCALE: N/A | UNIT: mm | SHEET: 1/1 |