

REV	ECN NO.	LOCAS.	DESCRIPTION	DATE	DESIGN
A			NEW DRAWING		

NOTES:

MATERIAL:

- 1.HOUSING MATERIAL :GLASS FILLED POLYESTER UL94V-0.
- 2.CONTACT MATERIAL :PHOSPHOR BRONZE t=0.35mm.
- 3.PLATING : GOLD PLATING 3u"~50u"OVER NICKEL

ELECTRICAL:

- 1.VOLTAGE RATING :125 VAC RMS.
- 2.CURRENT RATING :1.5 AMP.
- 3.CONTACT RESISTANCE :30 MILLIOHMS MAX.
- 4.INSULATION RESISTANCE :500 MEGOHMS MIN @ 500V DC .
- 5.DIELECTRIC WITHSTANDING RESISTANCE :1000V AC RMS 50Hz. 1MIN.

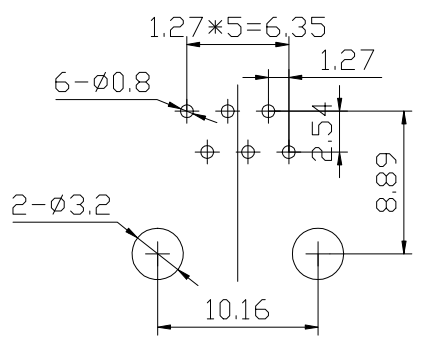
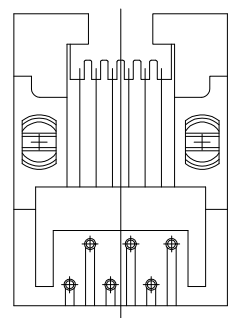
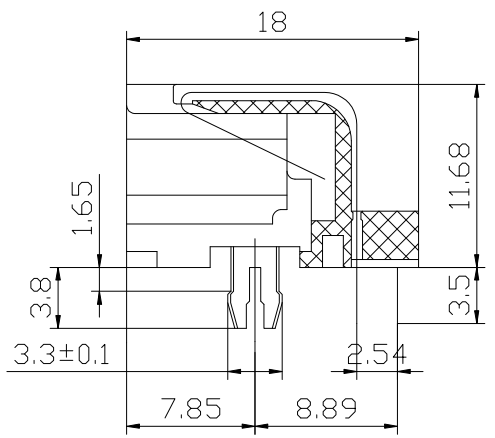
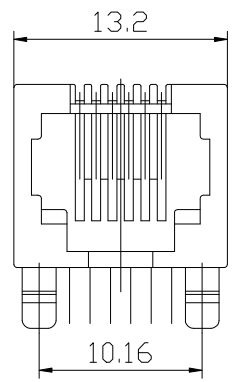
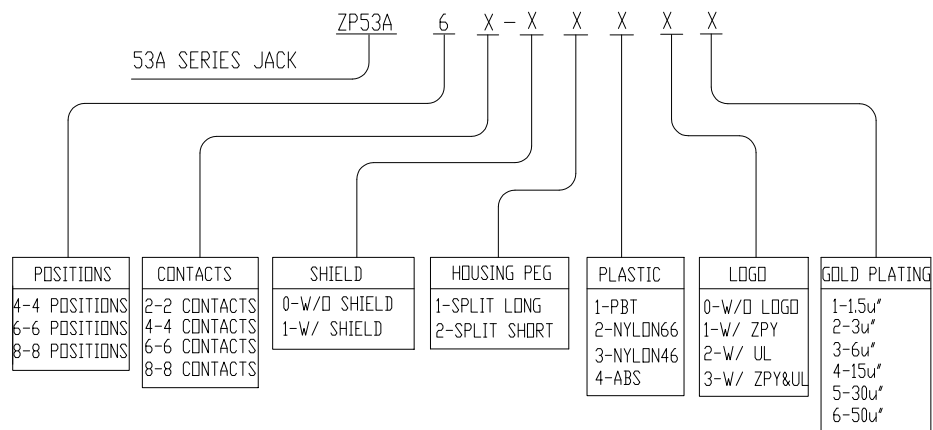
MECHANICAL:

- 1.DURRABILITY: :750 CYCLES MIN.
- 2.PCB RETENTION PRE-SOLDER :1 LB MIN.

ENVIRONMENTAL:

- 1.STORAGE : -40°C TO 85°C.
- 2.OPERATION : 0°C TO 70°C.

PART NUMBER:



PC Board Layout
Component Side Shown

DESIGN:	Xiping Huang		QWYCONN 深圳市启崴源电子有限公司		
CHECK:	Ke Tian		SHENZHEN QIWEIYUAN ELECTRONIC CO., LTD.		
APPROVED:	Youquan Xu		TITLE: 53 SIDE ENRY JACK 6P6C		
DIM	TOL	DIM	TOL	PART NO.	
X.	±0.25	X°	±3.0°	REV. A	
X.X	±0.20	X.X°		SCALE: N/A	UNIT: mm
X.XX	±0.15	X.XX°		SHEET: 1/1	
X.XXX		X.XXX°			