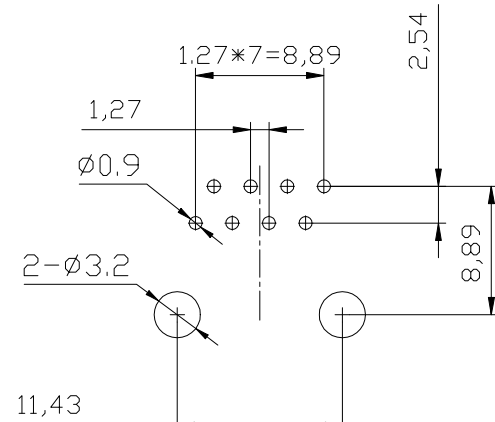
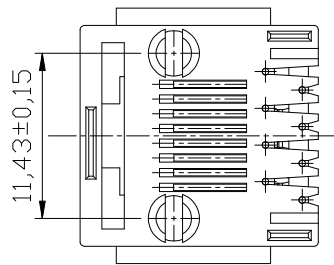
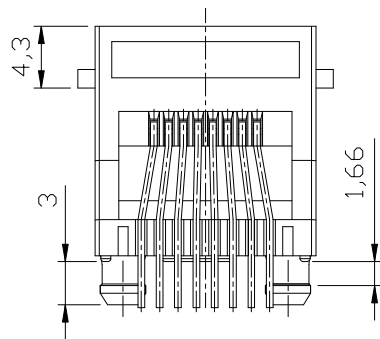
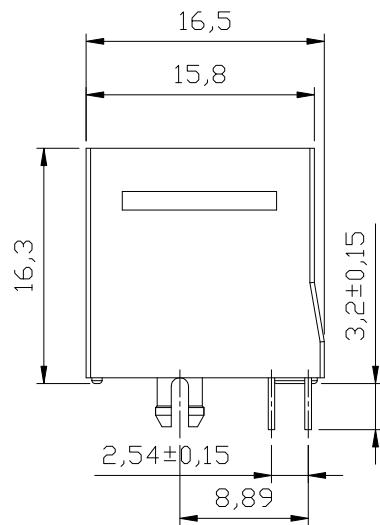
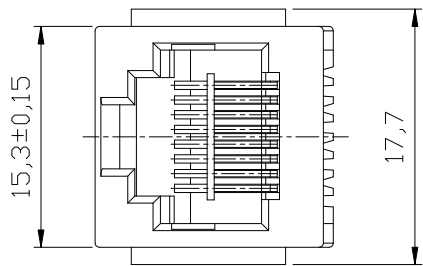


REV	ECN NO.	LOCAS.	DESCRIPTION	DATE	DESIGN
A			NEW DRAWING		



PC Board Layout
Component Side Shown

NOTES:

MATERIAL:

- 1. HOUSING MATERIAL :GLASS FILLED POLYESTER UL94V-0.
- 2. CONTACT MATERIAL :PHOSPHOR BRONZE $\varnothing=0.46\text{mm}$.
- 3. PLATING : GOLD PLATING $3\mu\sim 50\mu$ OVER NICKEL

ELECTRICAL:

- 1. VOLTAGE RATING :125 VAC RMS.
- 2. CURRENT RATING :1.5 AMP.
- 3. CONTACT RESISTANCE :30 MILLIOHMS MAX.
- 4. INSULATION RESISTANCE :500 MEGOHMS MIN @ 500V DC .
- 5. DIELECTRIC WITHSTANDING RESISTANCE :1000V AC RMS 50Hz. 1MIN.

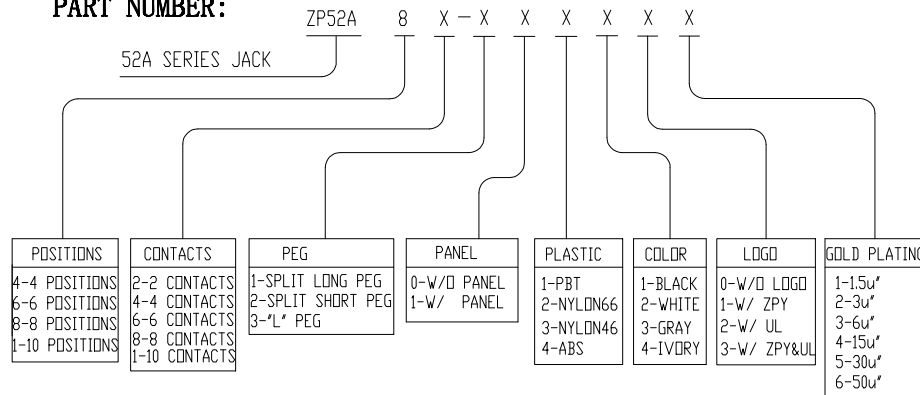
MECHANICAL:

- 1. DURRABILITY: :750 CYCLES MIN.
- 2. PCB RETENTION PRE-SOLDER :1 LB MIN.

ENVIRONMENTAL:

- 1. STORAGE : -40° C TO 85° C.
- 2. OPERATION : 0° C TO 70° C.

PART NUMBER:



DESIGN:	Xiping Huang	QWYCONN® 深圳市启崮源电子有限公司 SHENZHEN QIWEIYUAN ELECTRONIC CO., LTD.	
CHECK:	Ke Tian	TITLE: 52 TOP ENRYR JACK 8P8C	
APPROVED:	Youquan Xu	PART NO.	
DIM	TOL	DIM	TOL
X.	±0.25	X°	±3.0°
X.X	±0.20	X.X°	
X.XX	±0.15	X.XX°	
X.XXX		X.XXX°	
REV. A	SCALE: N/A	UNIT: mm	SHEET: 1/1