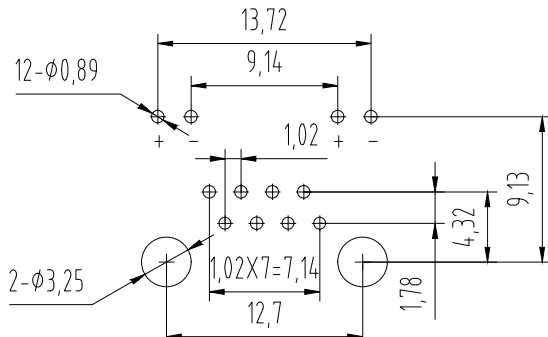
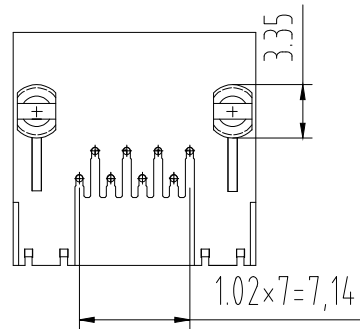
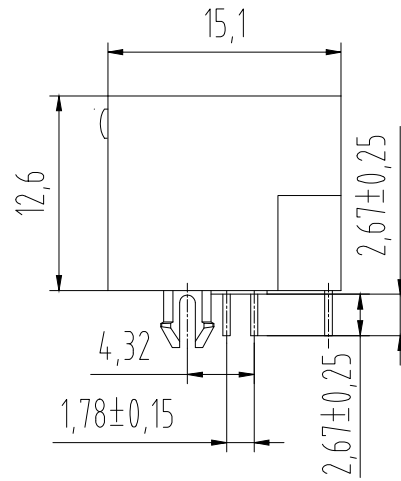
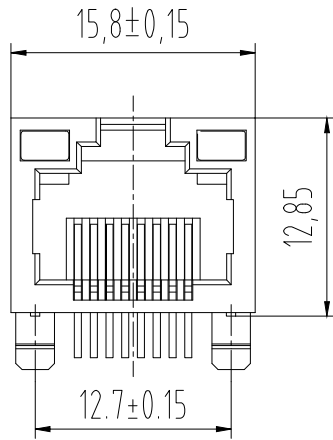


REV	ECN NO.	LOCAS.	DESCRIPTION	DATE	DESIGN
A			NEW DRAWING	22.12.01	Jenply



PC Board Layout  
Component Side Shown

NOTES:

MATERIAL :

- 1.HOUSING MATERIAL :GLASS FILLED POLYESTER UL94V-0.
- 2.CONTACT MATERIAL :PHOSPHOR BRONZE φ0.46mm.
- 3.PLATING :GOLD PLATING OVER NICKEL.

ELECTRICAL:

- 1.VOLTAGE RATING :125 VAC RMS.
- 2.CURRENT RATING :15 AMP.
- 3.CONTACT RESISTANCE :30 MILLIOHMS MAX.
- 4.INSULATION RESISTANCE :500 MEGOHMS MIN @ 500V DC .
- 5.DIELECTRIC WITHSTANDING RESISTANCE :1000V AC RMS 50Hz. 1MIN.

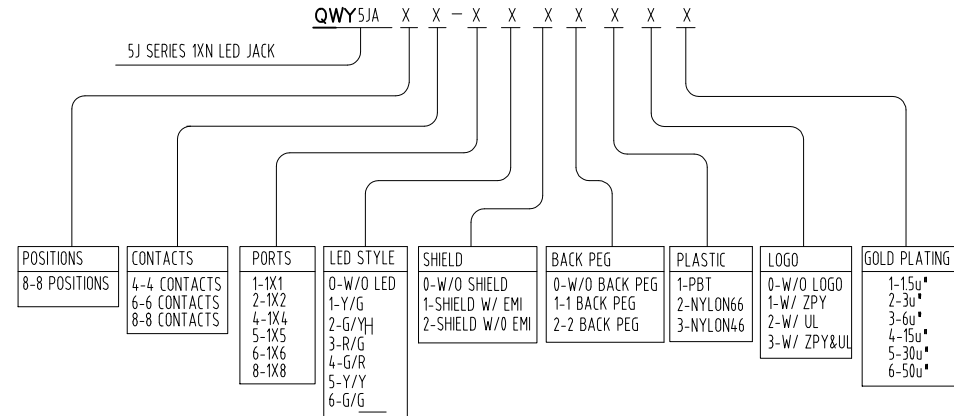
MECHANICAL:

- 1.DURRABILITY :750 CYCLES MIN.
- 2.PCB RETENTION PRE-SOLDER :1 LB MIN.

ENVIRONMENTAL:

- 1. STORAGE : -40°C~+85°C
- 2. OPERATION : 0°C TO 70°C.

PART NUMBER:



DESIGN:	Jenply		深圳市启崴源电子有限公司 SHENZHEN QIWEIYUAN ELECTRONIC CO., LTD.	
CHECK:	Ke Tian			
APPROVED:	Youquan Xu		TITLE: 5JA 1X1 LED JACK W/O SHIELD	
DIM	TOL	DIM	TOL	PART NO.
X.	±0.25	X*	±3.0°	
X.X	±0.20	X.X*		REV.A
X.XX	±0.15	X.XX*		
X.XXX		X.XXX*		UNIT: mm
				SHEET: 1/1