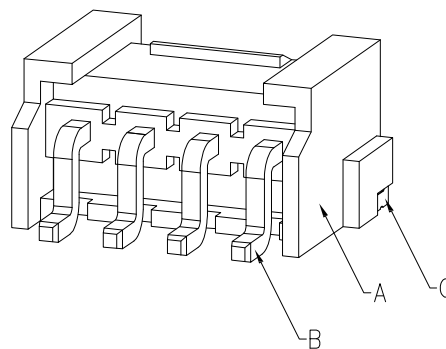
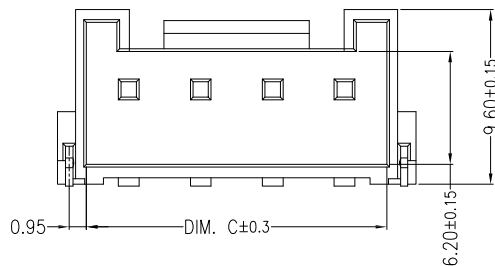
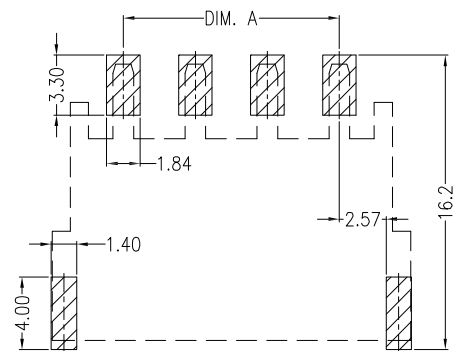


主要技术参数 Main Specifications

- 线 数 (Poles): 02 to 16
- 接触电阻 (Contact resistance): $\leq 20m\Omega$
- 绝缘电阻 (Insulation resistance): $\geq 1000M\Omega$
- 额定电压 (Rated voltage): 250V AC DC
- 额定电流 (Rated current): 7.0A AC DC
- 耐 电 压 (Withstand Voltage): 1500V AC/minute
- 温度范围 (Temperature Range) : $-25^{\circ}C \sim +105^{\circ}C$



C	SOLDER TAB	2PCS	Brass	Sn-plated
B	CONTACT	02~10PCS	Brass	Sn-plated
A	PEDESTAL	1 PCS	PA9T	UL 94V-0, COLOR:BEIGE



Mating PCB detail

Circuits	Dimensions (mm)		
	DIM. A	DIM. B	DIM. C
02	3.96	11.88	8.60
03	7.92	15.84	12.56
04	11.88	19.80	16.52
05	15.84	23.76	20.48
06	19.80	27.72	24.44
07	23.76	31.68	28.40
08	27.72	35.64	32.36
09	31.68	39.60	36.32
10	35.64	43.56	40.28

UNITS: mm

MAT'L: **QWYCONN** 深圳市启崴源电子有限公司
SHENZHEN QIWEIYUAN ELECTRONIC CO., LTD.

PART NO.(INTENDED USE): VH3.96-nPWB TITLE: VH3.96卧贴针座

APPD: DWG NO.: VH3.96-nPWB

CHKD: SCALE: 1/1 SHEET: 1/1 REV: A

DR: HU 2016.09.28

Q'TY: PCS

X. ± 0.3	X° ± 5°
.X ± 0.25	.X° ± 2°
.XX ± 0.20	.XX° ± 1°
.XXX ± 0.10	.XXX° ± 0.5°