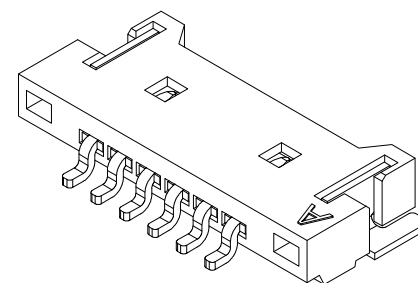
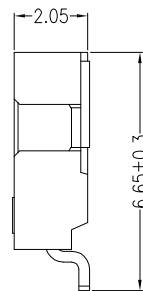
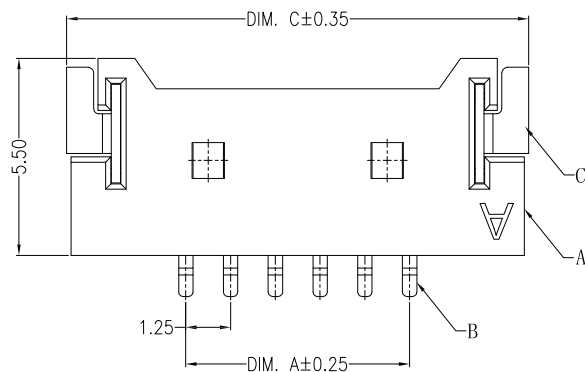


A1254AWR-02

A1254AWR-03



主要技术参数 Main Specifications

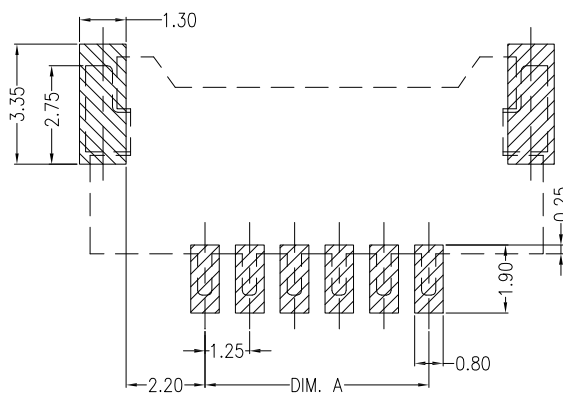
- 线 数 (Poles): 02 to 15
- 接触电阻 (Contact resistance): $\leq 20m\Omega$
- 绝缘电阻 (Insulation resistance): $\geq 100M\Omega$
- 额定电压 (Rated voltage): 125V AC DC
- 额定电流 (Rated current): 1.0A AC DC
- 耐 电压 (Withstand Voltage): 500V AC/minute
- 温度范围 (Temperature Range): $-25^{\circ}C \sim +85^{\circ}C$

ORDER INFORMATION:

A1254AWR--***B1-***

PART No.		PACKAGING:
No. OF CIRCUITS:		R=REEL
02~30		P=PE
PLASTIC MATERIAL:		Metal code:
F1C=LCP (BEIGE)		1=PhosphorBronze
F1K=LCP (BLACK)		PLATING:
		B=MATTE Sn

Circuits	Dimensions (mm)			
	DIM. A	DIM. B	DIM. C	DIM. D
02	1.25	7.65	7.90	2.90
03	2.50	8.90	9.15	4.15
04	3.75	10.15	10.40	5.40
05	5.00	11.40	11.65	6.65
06	6.25	12.65	12.90	7.90
07	7.50	13.90	14.15	9.15
08	8.75	15.15	15.40	10.40
09	10.00	16.40	16.65	11.65
10	11.25	17.65	17.90	12.90
11	12.50	18.90	19.15	14.15
12	13.75	20.15	20.40	15.40
13	15.00	21.40	21.65	16.65
14	16.25	22.65	22.90	17.90
15	17.50	23.90	24.15	19.15



SUGGESTED PCB LAYOUT
(COMPONENT SIDE)

ITEM	COMPONENT	Q'TY	MATERIAL	FINISH
C	Solder Tab	1 PCS	PhosphorBronze	MATTE Sn-plated
B	Contacts	2~30PCS	PhosphorBronze	MATTE Sn-plated
A	HOUSING	2~30PIN	LCP	UL 94V-0, COLOR:BEIGE/BLACK

QWYCONN 深圳市启威源电子有限公司
SHENZHEN QIWEIYUAN ELECTRONIC CO., LTD.

UNITS mm	PART NO.(INTENDED USE) A2365AWR-**-***B1-*	TITLE: 1.25mmPITCH 90°WAFER SMT TYPE
MAT'L		APPD:
FINISH	CHKD:	DWG NO.: QWY-GCCP-0658
Q'TY PCS	DR: HU 2016.09.28	SCALE SHEET REV. 1/1 1/1 A

X ± 0.3	X° ± 5°
.X ± 0.25	.X° ± 2°
.XX ± 0.20	.XX° ± 1°
.XXX ± 0.10	.XXX° ± 0.5°