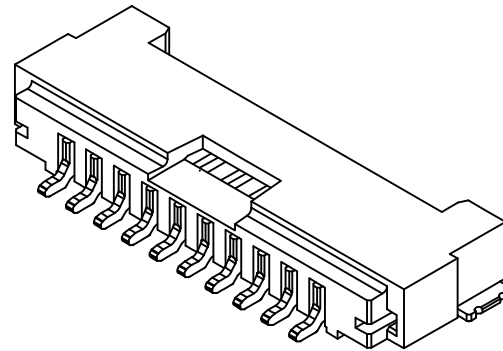


21P~30P
SCALE 0.8:1

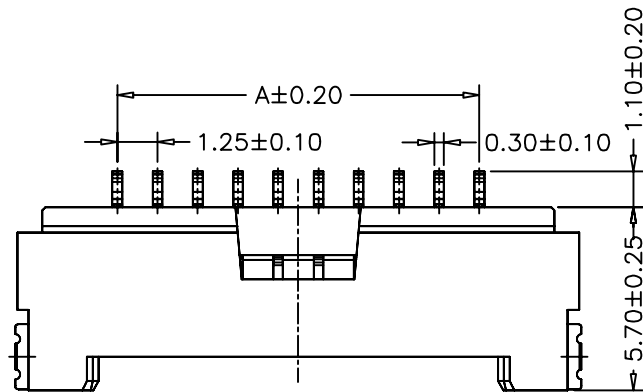


SPECIFICATIONS

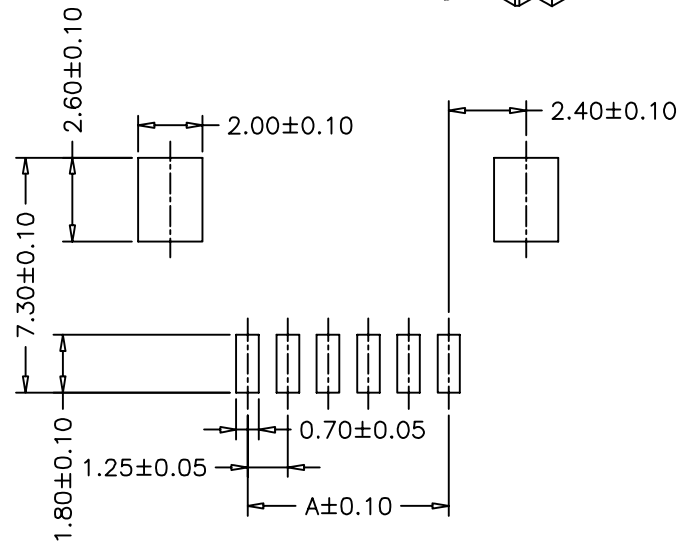
Current Rating: 1A AC,DC
 Voltage Rating: 150V AC,DC
 Temperature Range: -25°C ~ +85°C
 Contact Resistance: 20mΩ Max.
 Insulation Resistance: 100MΩ Min.
 Withstanding Voltage: 500V AC/minute
 Pin Material: Brass/G-plated
 Solder Tabs: Brass/G-plated
 Material: Nylon 6T,UL94V-0
 Color: Natural(Beige)
 Qty/reel:1000pcs

Ordering Information & Dimensions

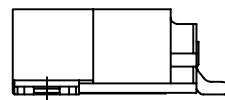
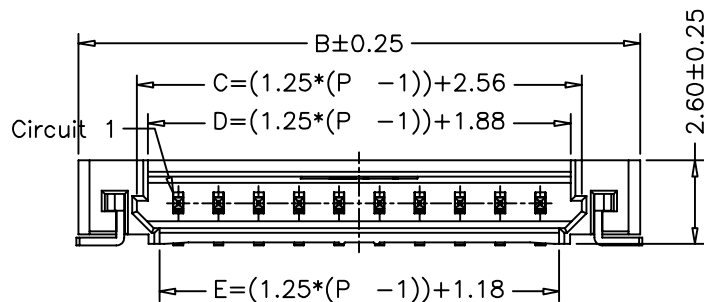
PIN	A	B
2	1.25	7.45
3	2.50	8.70
4	3.75	9.95
5	5.00	11.20
6	6.25	12.45
7	7.50	13.70
8	8.75	14.95
9	10.00	16.20
10	11.25	17.45
11	12.50	18.70
12	13.75	19.95
13	15.00	21.20
14	16.25	22.45
15	17.50	23.70
20	23.75	29.95
25	30.00	36.20
30	36.25	42.45



02P~20P



P.C.B. LAYOUT



UNITS	mm
MAT'L	
FINISH	
Q'TY	
DR:	HU 2016.09.25

QWYCONN 深圳市启威源电子有限公司
 SHENZHEN QIWEIYUAN ELECTRONIC CO.,LTD.

PART NO.(INTENDED USE) A1253WRA-S-XP	TITLE: 1.25mm PITCH90°WAFER-SMT TYPE ULTRA LOW PROFILE WITHOUT BOSS
APPD:	DWG NO.: A1253WRA-S-XP
CHKD:	SCALE SHEET REV. 1/1 1/1 A
DR:	

X.± 0.3	X°.± 5°
.X± 0.25	.X°.± 2°
.XX± 0.20	.XX°.± 1°
.XXX± 0.10	.XXX°.± 0.5°