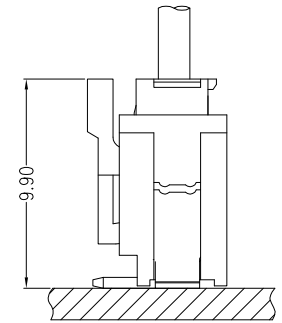
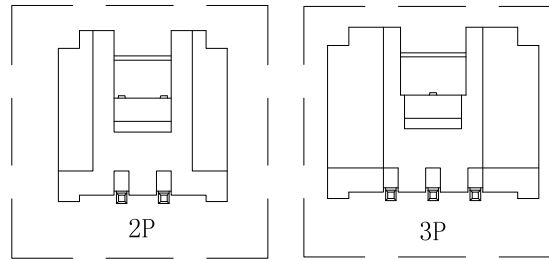
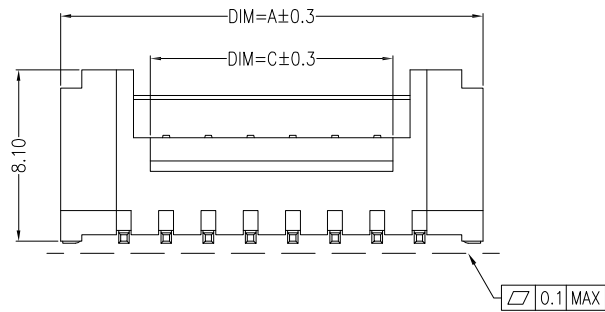


SUGGESTED PCB LAYOUT



Assembly Layout

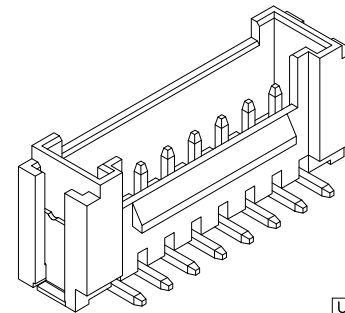


### 主要技术参数 Main Specifications

- 线 数 (Poles): 02 to 16
- 接触电阻 (Contact resistance):  $\leq 20\text{m}\Omega$
- 绝缘电阻 (Insulation resistance):  $\geq 10000\Omega$
- 额定电压 (Rated voltage): 250V AC DC
- 额定电流 (Rated current): 2.0A AC DC
- 耐 电 压 (Withstand Voltage): 1000V AC/minute
- 温度范围 (Temperature Range):  $-25\text{ }^{\circ}\text{C} \sim +105\text{ }^{\circ}\text{C}$

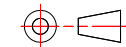
NO.	DESCRIPTION	QTY	MATERIAL	PLATING/COLOR
A	Insulator	1	LCP(UL94V-0)	Beige
B	Contacts	2~16	Brass	Tin-plated
C	Solder Tab	2	Brass	Tin-plated

Circuits	Dimensions (mm)				Circuits	Dimensions (mm)			
	DIM=A	DIM=B	DIM=C	DIM=D		DIM=A	DIM=B	DIM=C	DIM=D
02	8.00	2.00	2.70	4.90	10	24.00	18.00	15.50	20.90
03	10.00	4.00	2.70	6.90	11	26.00	20.00	15.50	22.90
04	12.00	6.00	3.50	8.90	12	28.00	22.00	15.50	24.90
05	14.00	8.00	5.50	10.90	13	30.00	24.00	15.50	26.90
06	16.00	10.00	7.50	12.90	14	32.00	26.00	15.50	28.90
07	18.00	12.00	9.50	14.90	15	34.00	28.00	15.50	30.90
08	20.00	14.00	11.50	16.90	16	36.00	30.00	15.50	32.90
09	22.00	16.00	13.50	18.90					



UNITS	mm	QWYCONN® 深圳市启威源电子有限公司 SHENZHEN QIWEIYUAN ELECTRONIC CO., LTD.	
MAT'L		PART NO.(INTENDED USE)	TITLE:
FINISH		HY2. 0-nAB	HY2. 0立贴针座
Q'TY	PCS	APPD:	DWG NO.:
		CHKD:	HY2. 0-nAB
		DR: HU 2016. 09. 28	SCALE
			SHEET
			REV.

X.± 0.3	X°± 5°
.X± 0.25	.X°± 2°
.XX± 0.20	.XX°± 1°
.XXX± 0.10	.XXX°± 0.5°



1/1	1/1	A
-----	-----	---